

# Best™ Integrated Brachytherapy Solutions



## Best™ Flexi Needles



15G Flexi Needle



16G Flexi Needle



17G Flexi Needle



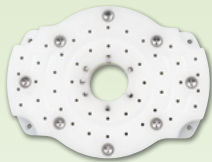
15G Flexi Needle with SS Sleeve (Click Fit)



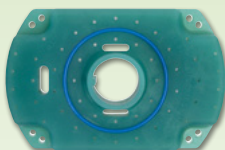
Flexi Needle with Female Hub

## Best™ Syed Templates

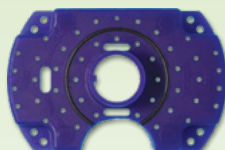
Best Medical offers a wide variety of disposable templates for HDR and LDR applications. Specify hole size when ordering (15, 16 or 17 gauge). These products should be carefully inspected by your staff prior to clinical use and should be used by authorized personnel only.



GYN Template (Reusable)



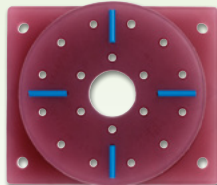
GYN Template (Disposable)



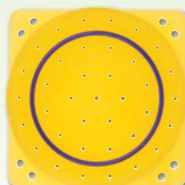
Modified GYN Template (Disposable)



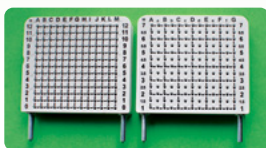
LDR Prostate Template (Disposable)



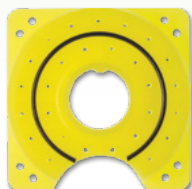
HDR Prostate Template (Disposable)



Rectal Template (Disposable)



Grid Template for B-K type Stepper/Stabilizer\* (Disposable)

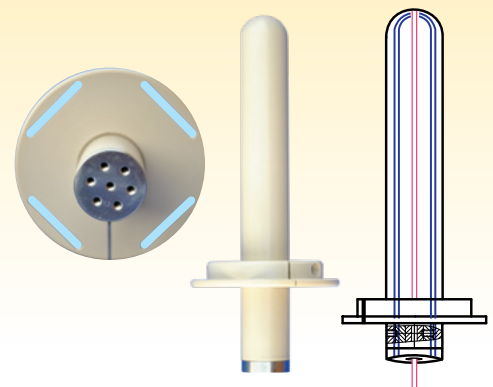


Modified Rectal Template (Disposable)

## Best™ Syed Multi-Channel Vaginal Applicator

This novel HDR applicator consists of a disposable central insert and an outer sleeve along with a positioning collar. Source channels travel fully to the distal end, curving around to give more dose to the apex area, allowing for optimum dose delivery.

Additionally, the outer sleeve provides a 5 mm wall, to reduce dose to the vaginal mucosa, with a 2 mm wall at the distal end of the applicator to allow for greater dose delivery. The applicator is 18 cm in length with diameters ranging from 2.0 cm to 3.5 cm.\*\*

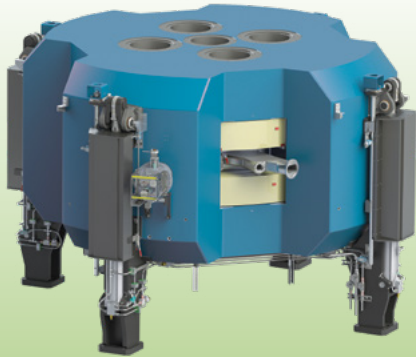


\*BMI provides grid templates for all makes and models of steppers/stabilizers. \*\*All dimensions are approximate.

# Best™ Integrated Brachytherapy and Theranostics Solutions



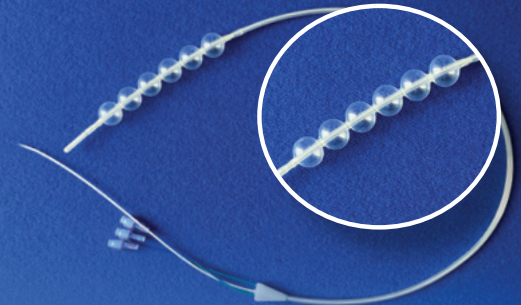
## Best™ ABT Molecular Imaging



### Best™ B35ADP

Alpha/Deuteron/Proton Cyclotron

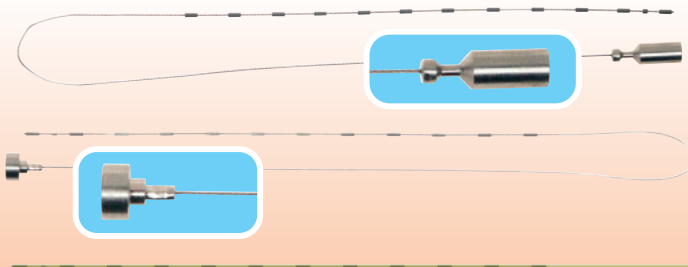
- **Proton Particle Beam:**  
1000  $\mu$ A Beam Current  
up to 35 MeV Energy
- **Deuteron Particle Beam:**  
500  $\mu$ A Beam Current  
up to 15 MeV Energy
- **Alpha Particle Beam:**  
200  $\mu$ A Beam Current  
up to 35 MeV Energy



### Best™ Esophageal Brachytherapy Applicator



### Best™ Breast Double-Balloon Brachytherapy Applicator



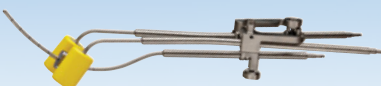
### Best™ X-ray Marker Cables



### BestMick Applicator and 10/15/20/25 Cartridges



### Best™ Kobold Tandem & Ring Applicator



### Best™ Kobold Fletcher Tandem & Ovoid Applicator



### Best™ Kobold Henschke Tandem & Ovoid Applicator

### Best™ HDR Remote Afterloader



- Provides 20 channels for dose delivery
- Battery back-up in case of power failure and automated wire recovery
- Quick source replacement process — reduces down-time
- Available with Cobalt-60 or Iridium-192 sources. Also, Ytterbium-169 source available soon!