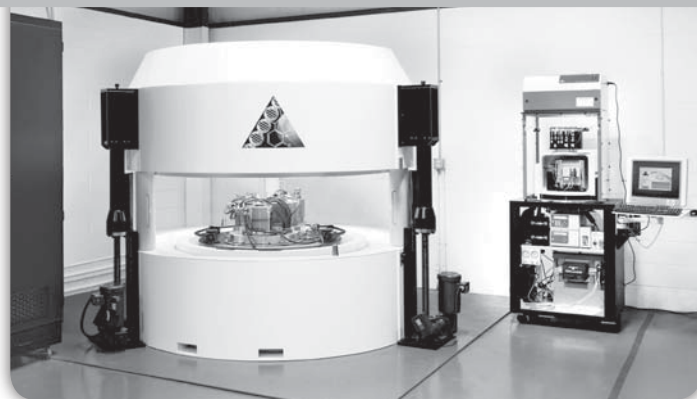


# Best™ ABT Molecular Imaging

## Best BG-75 BioMarker Generator with Best Chemistry Box II Option (Patent Pending)

- Push button graphic interface
- Single or batch dose production
- Capable of producing:  $^{18}\text{F}$ FDG,  $\text{Na}^{18}\text{F}$ ,  $^{18}\text{F}$ -MISO,  $^{18}\text{F}$ FLT,  $^{18}\text{F}$ -Choline,  $^{18}\text{F}$ -DOPA and  $^{18}\text{F}$ -PSMA
- Final dose delivery to syringe or vial
- Automated quality control testing
- Integrated cyclotron and chemistry self-shielding
- Complete production lab in a 5 x 5 m area



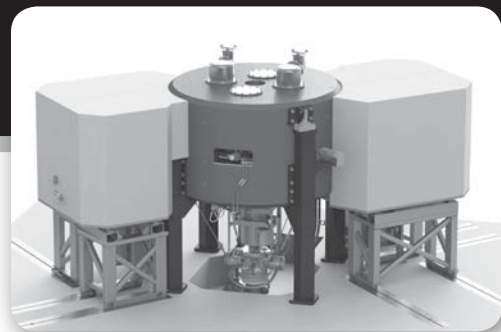
## NEW! Best Sub-Compact 200 BioMarker Generator with Best Chemistry Box II Option (Patent Pending)

- Low Energy Compact System
- Self Shielding
- Easy to operate
- Very little maintenance
- Capable of producing the following in addition to BG-75 isotopes:  $^{18}\text{F}$ ,  $^{11}\text{C}$ ,  $^{13}\text{N}$  and  $^{68}\text{Ga}$
- Ideal for Nuclear Cardiology and other Medical Applications



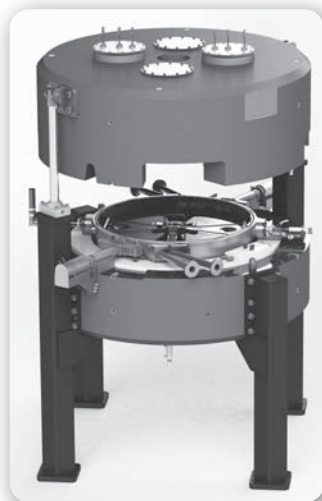
## Best™ Cyclotron Systems

Best Cyclotron Systems offers a large family of cyclotron designs with a broad energy range from 1 MeV to 150 MeV that can be configured and optimized for different applications.



### NEW! Best Compact Cyclotron 6–15 MeV Variable Energy\*

- 1–1000  $\mu\text{A}$  extracted beam current
- Capable of producing the following isotopes:  $^{18}\text{F}$ ,  $^{68}\text{Ga}$ ,  $^{89}\text{Zr}$ ,  $^{99\text{m}}\text{Tc}$ ,  $^{11}\text{C}$ ,  $^{13}\text{N}$ ,  $^{15}\text{O}$ ,  $^{64}\text{Cu}$ ,  $^{67}\text{Ga}$ ,  $^{111}\text{In}$ ,  $^{124}\text{I}$ ,  $^{225}\text{Ac}$  and  $^{103}\text{Pd}$
- Simultaneous  $^{18}\text{F}$  and  $^{68}\text{Ga}$  at high yield
- Up to  $5 \times 10^{13}$  neutrons per second from external target
- 21 stripping foils at each stripping port for 2 minute rapid change



\*Patent Pending

TeamBest Global Companies © 2021

[www.bestabt.com](http://www.bestabt.com) • [www.bestcyclotron.com](http://www.bestcyclotron.com) • [www.bestproton.com](http://www.bestproton.com)

Best ABT tel: 865 982 0098 • BCS tel: 604 681 3327 • BPT tel: 703 451 2378

AFRICA | ASIA | EUROPE | LATIN AMERICA | MIDDLE EAST | NORTH AMERICA

TEAMBEST GLOBAL™



[www.teambest.com](http://www.teambest.com)