

BestTM Cyclotron Systems

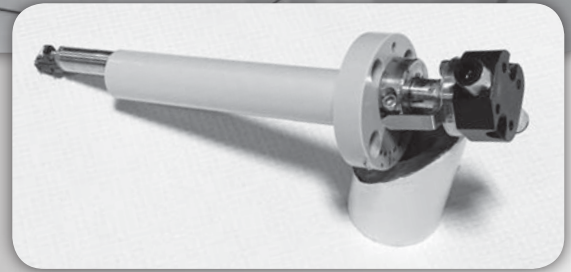
TEAMBEST GLOBAL[®]



www.teambest.com

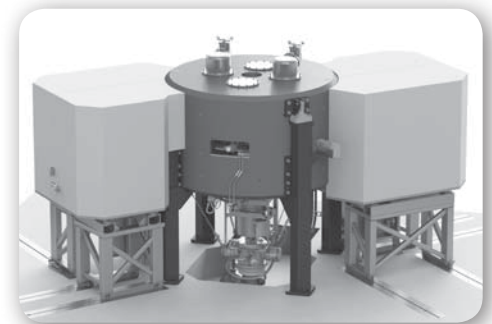
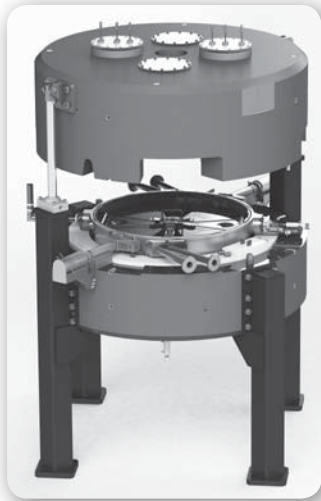
NEW! Best Model 200 Sub-Compact Self-Shielded Cyclotron with Optional Second Chemistry Module & Novel Target

- Low energy compact system, can be placed next to PET/CT
- Easy to operate push-button graphic interface
- Automated quality control testing
- Ideal for Nuclear Cardiology/Oncology and other applications
- Capable of producing: ¹⁸F-DG, Na¹⁸F, ¹⁸F-MISO, ¹⁸FLT, ¹⁸F-Choline, ¹⁸F-DOPA, ¹⁸F-PSMA, ¹¹C, ¹³N, ⁶⁸Ga and more!



NEW! Best 6–15 MeV Compact High Current/ Variable Energy Proton Cyclotron

- Capable of producing the following isotopes: ¹⁸F, ⁶⁸Ga, ⁸⁹Zr, ^{99m}Tc, ¹¹C, ¹³N, ¹⁵O, ⁶⁴Cu, ⁶⁷Ga, ¹¹¹In, ¹²⁴I, ²²⁵Ac, ¹⁰³Pd and more!
- 1–1000 μ A extracted beam current
- Simultaneous ¹⁸F and ⁶⁸Ga at high yield
- Up to 5×10^{13} neutrons per second from external target
- 21 stripping foils at each stripping port for 2 minute rapid change



TeamBest Global Companies © 2022 * Some of the products shown are under development and not available for sale currently.

Best Cyclotron Systems USA 3024 Topside Business Park Dr., Louisville, TN 37777
Best Cyclotron Systems CAN 8765 Ash Street, Unit 7, Vancouver, BC V6P 6T3
USA: 865 982 0098 CAN: 604 681 3327 www.bestcyclotron.com www.teambest.com

AFRICA | ASIA | EUROPE | LATIN AMERICA | MIDDLE EAST | NORTH AMERICA